

# CFE Lithium-ion Battery and PowerCube cable Guideline



**First-class power battery system supplier**

**First-class supplier of energy storage and microgrid**

## 1. Cable Guidelines for battery Pack (below four battery pack connection as demo)



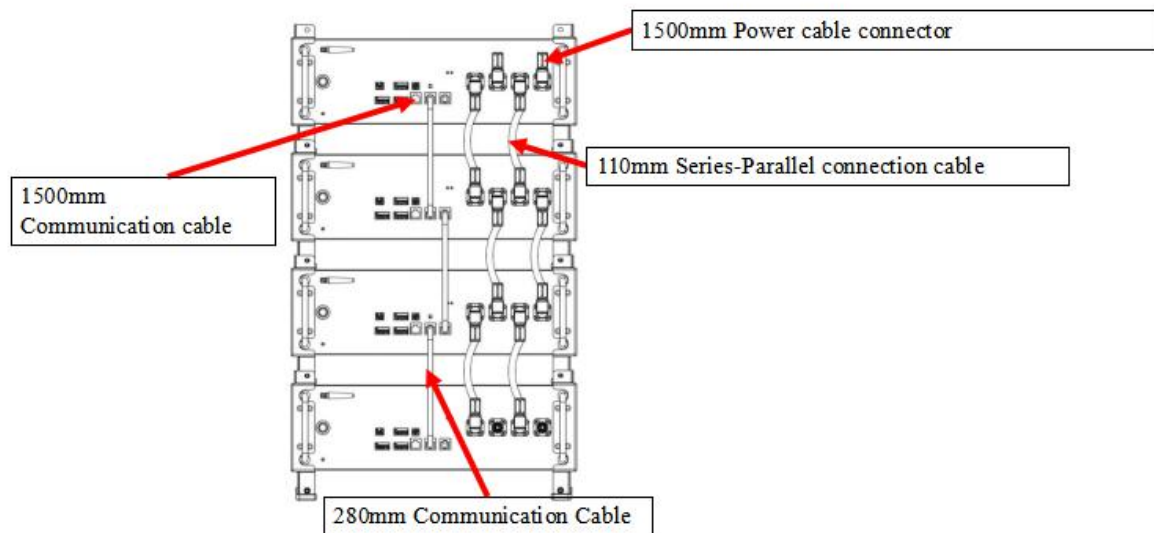
Wiring: Each battery is equipped with

A set of 110mm power line which used as series/parallel connection.

A set of 280mm communication cable.

A set of 1500mm power cable (Optional, extra cost).

A set of 1500mm communication cable (Optional, extra cost).



## Cable Guidelines for CFE PowerCube— 10KWh



Wiring: Each Powercube is equipped with

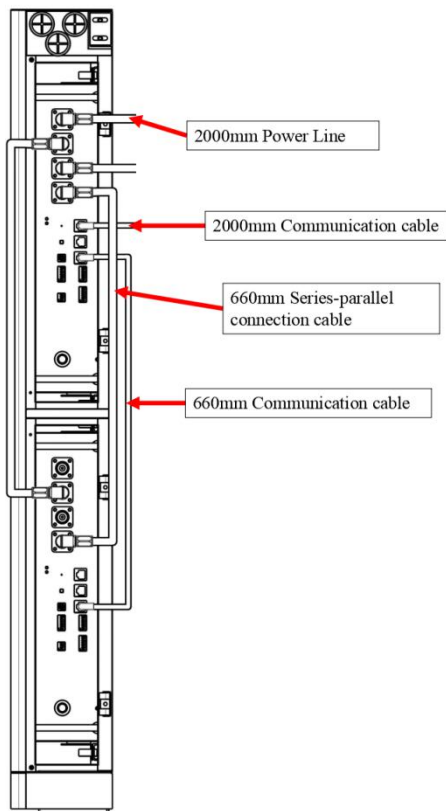
A set of 660mm power line which used as series/parallel connection.

A set of 2000mm power line.

A set of 660mm communication cable.

A set of 2000mm communication cable (Optional, extra cost).

Two sets of 280mm communication cable (Packed in the battery carton).



## Cable Guidelines for CFE PowerCube— 20KWh



Wiring: Each Powercube is equipped with

Two sets of 110mm power line which used as series/parallel connection.

A set of 660mm power line which used as series/parallel connection.

A set of 2000mm power line.

A set of 660mm communication cable.

A set of 2000mm communication cable (Optional, extra cost).

4 sets of 280mm communication cable (Packed in the battery carton).

